



14/03/00

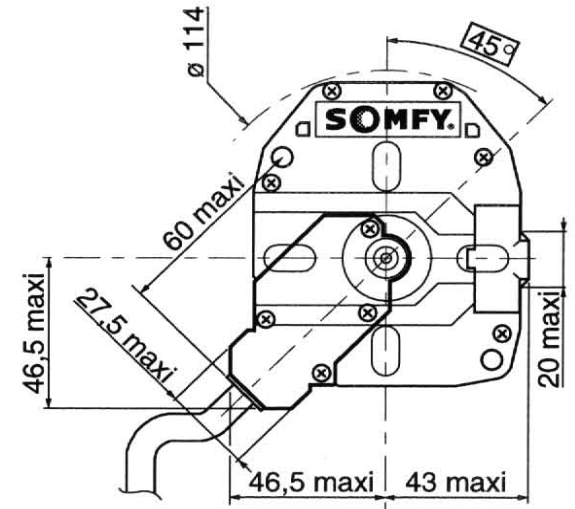
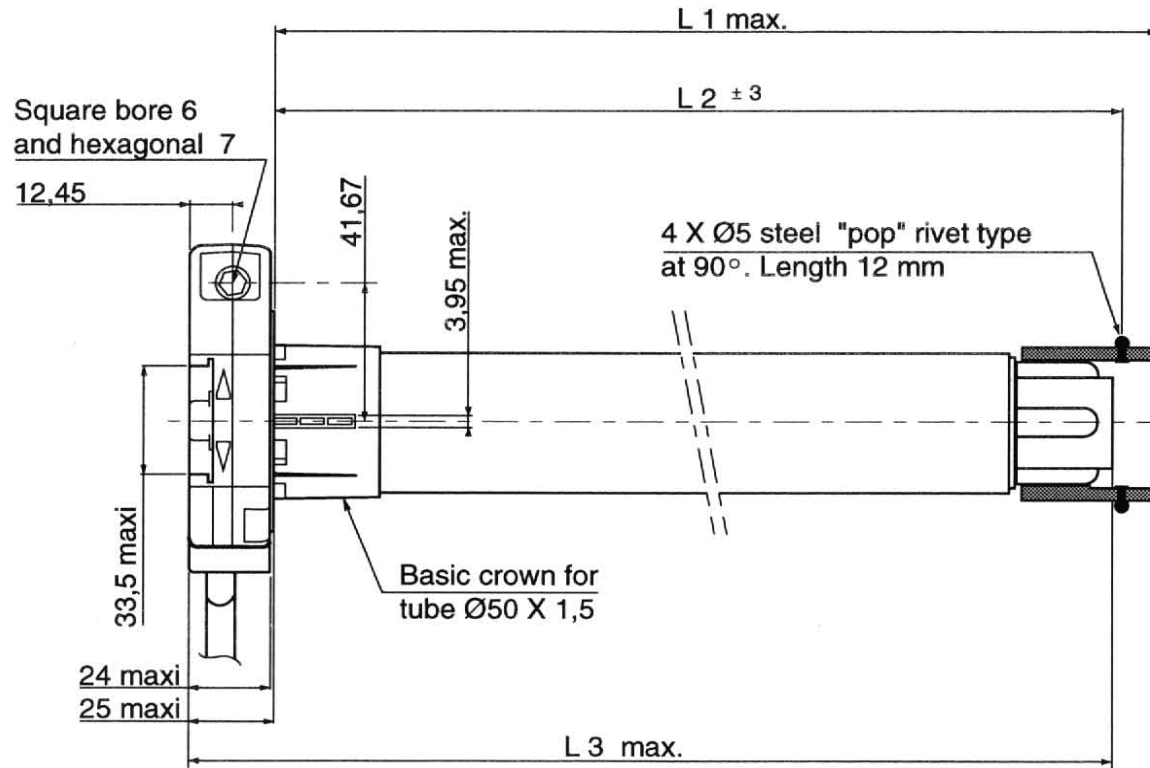
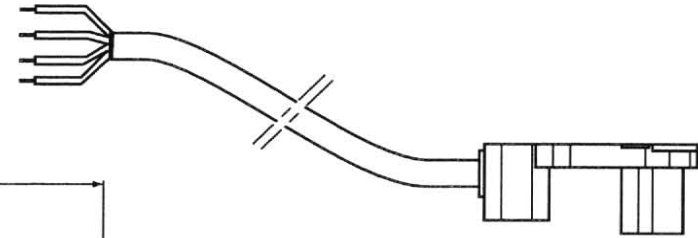
LT 50 CSI SASO TECHNICAL DATA

DMKI - FPTE
RANGE 6
LT50CSISASORange6R0

Nominal voltage	220 V - 60 Hz
Power supply tolerances	200 - 240 V
Thermal time (to reach 115°C)	2,25 minutes
Number of wires of the cable	4
Wire section	0,75 mm ²
Type of limit switch unit	Quick limit switch
Capacity of the LSU	34 turns
Repeatability	± 5°
System of protection	IP 44
Interface drawings	Wheel interface LT50 206821-Crown interface LT50 206822-CSI head interface drawing 206831 (no contactual)-CSI head interface drawing 206832 (contactual)-Interface drawing CSI buttons 206844.
Basic crown for tube Ø	50 x 1,5 mm
CSI gear ratio	1/27
Crank operation effort	10% of the motor's nominal torque
Temperature working range	Normal use : -10°C to +40°C Exceptionnal use (20% of the life time not continuous) : -25°C to + 70°C
Noise level	According to SOMFY measures (for information only).Worse value : in load up direction during 10 seconds.

Designation	Nm	rpm	reference	mm	mm	mm	mm	W	A	°C	Brake type	kg	dBA
	Nominal torque	Nominal speed		L1 max.	L2 (+3 mm)	L3 max.	tube	Rated power	Rated current	Thermal tripping		Weight	Noise
508A6 CSI	8	20	901200	544	529	557	490	105	0,5	140	sliding	1,85	-
518A6 CSI	18	20	901201	594	579	607	540	170	0,8	150	sliding	2,15	-
538R6 CSI	38	14	901202	594	579	607	540	210	1	150	sliding	2,55	57

WIRING	Neutral	Blue
	White button	Brown
	Yellow button	Black
	Earth	Green / Yellow



Visa :	DT	Quality	GMD
--------	----	---------	-----